

FK-150L
进 取 不 止



www.fukeonline.com

fk002@fukebn.com

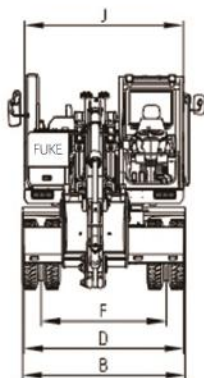
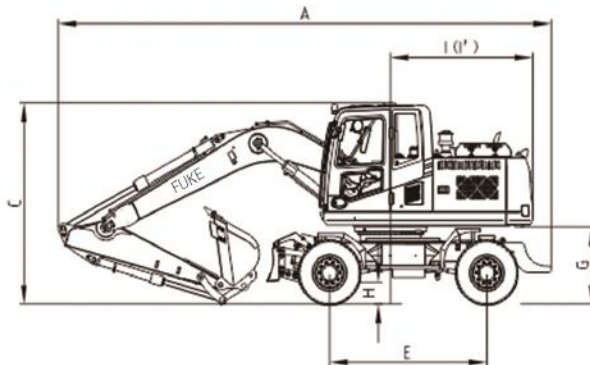
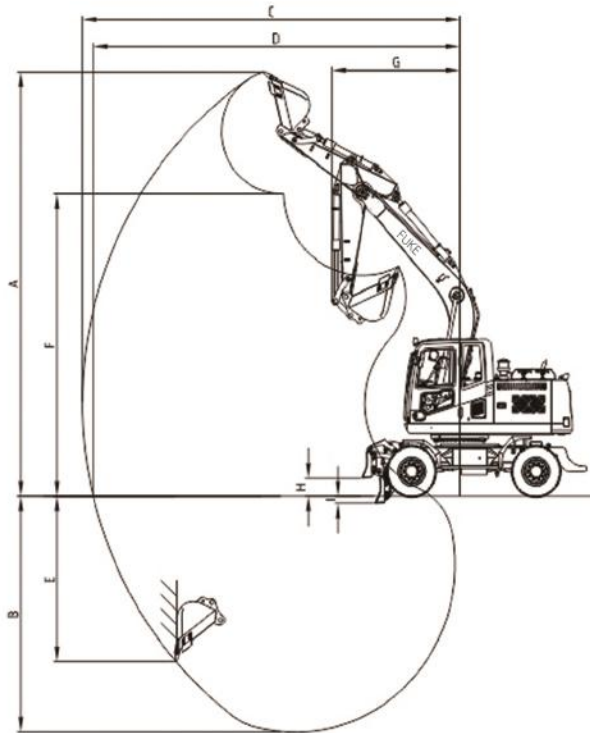
FK150-9L

Total Weight: 13600 kg

Standard bucket capacity: 0.58 m³

Rated power: 85.4/2200 kW/rpm

- New generation product
- Exquisite
- Reliable structure
- Excellent performance
- Small and efficient
- Convenient maintenance
- Cost-effective



► Technical specifications

Basic parameters

Total Weight	13600 kg
Standard bucket capacity	0.58 m ³

Performance parameter

Engine	Cummins
Engine rated power	85.4/2200 kW/rpm
Gradeability	70%(35°)
Maximum digging force of stick	74.2 kN
Bucket excavation	82.7 kN
Driving speed	30 km/h
Platform rotation speed	13 r/min

Job parameters

Maximum digging height	8498 mm	A
Maximum digging depth	4685 mm	B
Maximum digging radius	7900 mm	C
Maximum digging radius on the ground	7668 mm	D
Maximum vertical digging depth	4300 mm	E
Maximum unloading height	6055 mm	F
Boom length	4600 mm	

Transport size

Overall length (transport state)	7785 mm
Overall width (transport state)	2500 mm
Overall height (transport state)	3158 mm

Other parameters

Wheelbase	2600 mm	E
Axle track	1944mm	F
Counterweight ground clearance	1260 mm	G
Minimum ground clearance	378 mm	H
Tail length	2290mm	I
Fuel tank capacity	270 L	
Hydraulic oil tank capacity	125 L	
Working pressure of slewing system	270 bar	

安徽福客重工设备有限公司
Anhui Fuke Heavy Industry Equipment Co., Ltd.

Contact us:

Phone/Whatsapp:+8613505697380

Email:fk002@fukebn.com/fuke7380@gmail.com

www.fukeonline.com





Multifunctional Excavator



Optional accessories (for excavators)



Jaw Crusher



**Multifunctional
Crushing Screen**



**Multifunctional
Hydraulic Shears**



Alligator Crusher



**Horizontal
Screening Bucket**



**Rotating
Screening Bucket**



**Hydraulic
Vibration Rammer**



**Slope
Vibration Rammer**



Milling machine



Milling machine



Extended arm



Rippers



**Hydraulic
Wood Clamp**



Steel Scissors



**Mechanical
Crushing Head**



**Mechanical
Wood Clamp**



**Steel
Grabbing Machine**



Shell Bucket



**Hydraulic
Battery Sucker**



**High
Frequency Breaker**

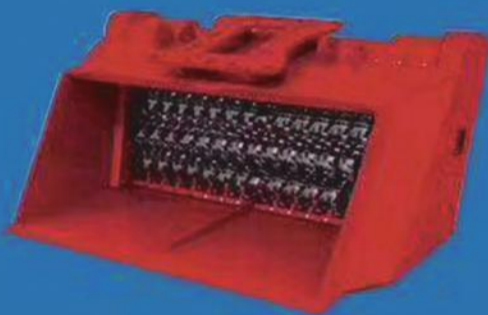




FUKE 福客®



Jaw Crusher



Multifunctional
Crushing Screen



Hydraulic
Wood Clamp



Rotating
Screening Bucket



Multifunctional
Hydraulic Shears



Milling Machine

ANHUI FUKE HEAVY INDUSTRY EQUIPMENT CO., LTD.

安徽福客重工设备有限公司

WWW.FUKEONLINE.COM
Email:fk002@fukebn.com
Whatsapp:+8613505697380

