

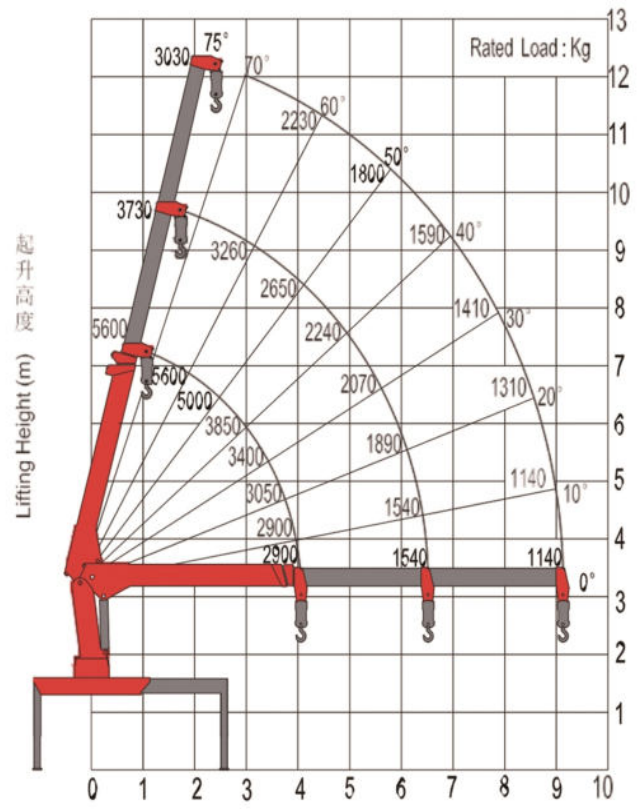
FK-50E



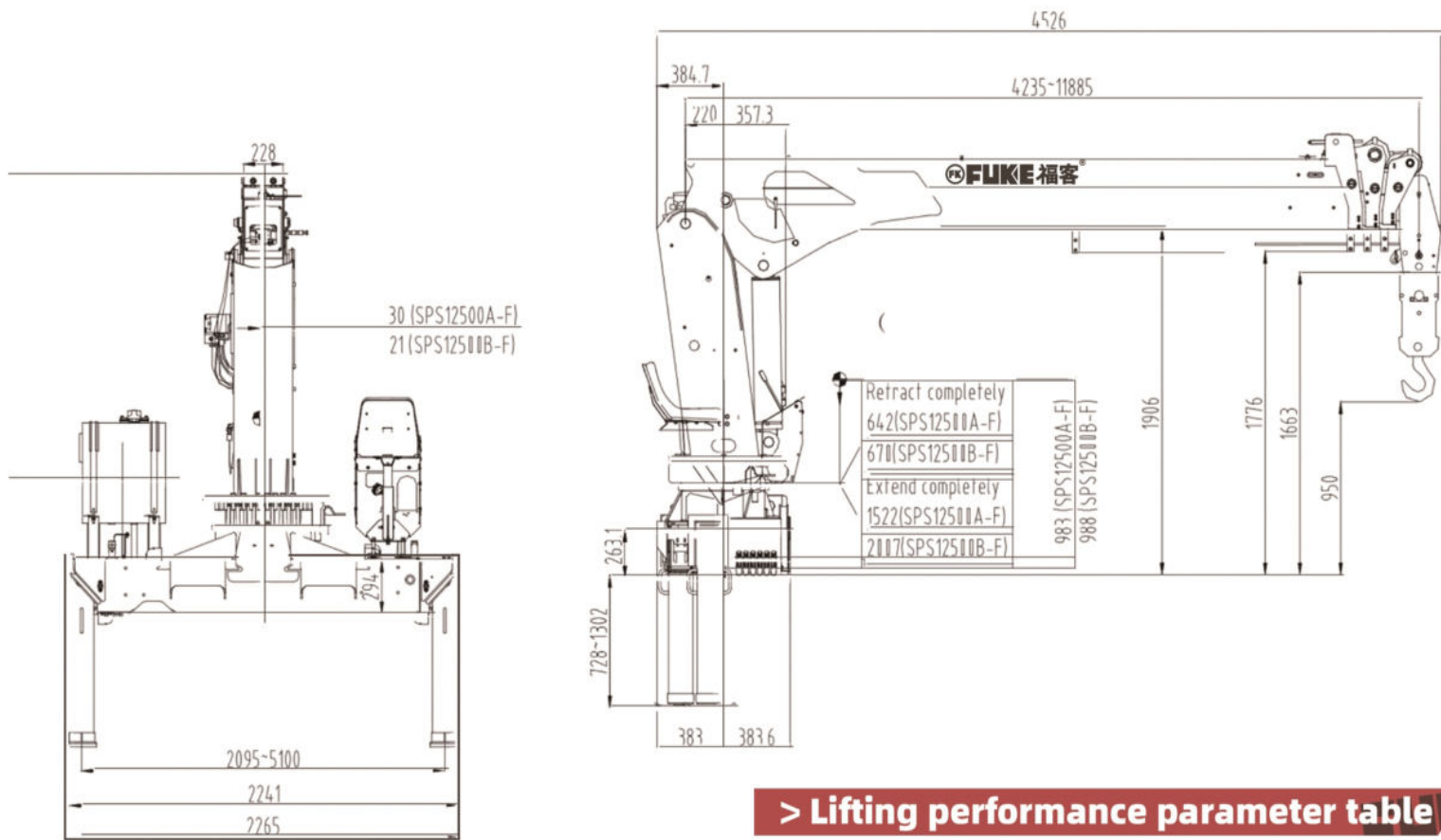
> Product Description

- Extra-long boom, wider operating range
- Two-stage large-span outriggers have stronger overall machine stability
- The fuel tank is integrated on the base, making it easier to modify. High safety factor design, higher reliability, standard warning horn. Standard work light
- Standard high pressure filter
- Standard configuration winch over-winding alarm
- The standard plunger pump has longer life, higher efficiency and higher reliability
- Optional hydraulic or manual outrigger
- Optional innovative low seat, which is more in line with humanized operation and enhances comfort

> Lifting Performance Graph



NOTE
The above lifting height and boom angles are based on a straight (unladen) boom. Allowance should be made for boom deflection under laden conditions.



> Lifting performance parameter table

> Technical Parameters

Basic Data	FUKE FK-50E
Rated lifting moment	12.5 mt
Rated lifting capacity	5000 kg (2.5 m)
Max. outreach	9.0 m
Max. lines of the hook	4
Slewing angle	Continuous
Boom raising angle	0 ~ 75 °
Max lifting height (the measurement from the ground after the outriggers fully extended)	11.1 m
Length of the boom system (retracted)	4.2 m
Length of the boom system (fully extended)	9.3 m
Boom sections	3
Outrigger span (fully extended)	5.1 m
Recommended flow rate	55 L/MIN
Operating pressure	23 / 25 Mpa
Recommended oil tank capacity	100 L
Crane moment(dynamic)	176.4 kNm 18.0 mt
Torsional moment(dynamic)	13.1 kNm 1.3 mt
Crane weight	2260 kg

Amplitude	Arm length (fully extended outriggers, hanging from the rear side)			
	4.2	6.7	9.3	11.9
2	5600			
2.2	5000	4670		
2.5	4592	3958	3700	
3	4054	3460	3209	
3.5	3601	3091	2847	2720
4	2930	2802	2568	2444
4.5		2567	2346	2226
5		2366	2164	2048
5.5		2184	2011	1900
6		2001	1879	1774
6.5		1721	1764	1666
7			1659	1571
7.5			1562	1488
8			1466	1412
8.5			1362	1343
9			1206	1280
9.5				1219
10				1160
10.5				1099
11				1031
11.6				930
Recommended magnification	4	4	4	2

*We follows the principle of continuous improvement Product performance parameters will be partially changed due to technical improvements without prior notice.

