

FK FUKU 福客

FUKE

**Boutique Manufacturing,
Conquer The World With Quality**

FK-950L

进 取 不 止



www.fukeonline.com

fk002@fukebn.com

Basic Configuration

Bucket capacity

3.0m³

Operation weight

17000kg

Rated load

5000kg

Wheel base

3200mm

*We follows the principle of continuous improvement Product performance parameters will be partially changed due to technical improvements without prior notice.

Anhui Fuke Heavy Industry Equipment Co., Ltd.

Web: www.fukeonline.com

Basic Parameters

Rated Load:5000kg

Overall Weight:17000kg

Rated Bucket Capacity:3.0m³

Maximum Tractive Force:158kn

Maximum Breakout Force \geq 204kn

Rated Power:162kw-2200r/Min

Wheel Base (Mm):3200 (D)

Wheel Tread(Mm):2250

Dimension (L*W*H):7920*3050*3400mm (A*B*C)

Minimum Turning Radius:7020mm

No. Of Cylinder-Bore/Stroke:6 - 126×130mm

Maximum Grade Ability:30°C

Maximum Torque:9500n.m

Min Fuel-Consume Ratio \leq 208g/Kw.h

Engine Model : Yuchai

Power Shift Normally Engaged Straight Gear

Tyre: 23.5/70-16

Strong bearing

Driving comfort

Easy maintenance

Reliable structure

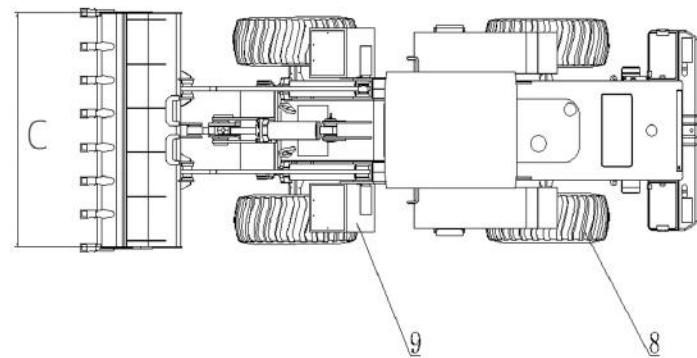
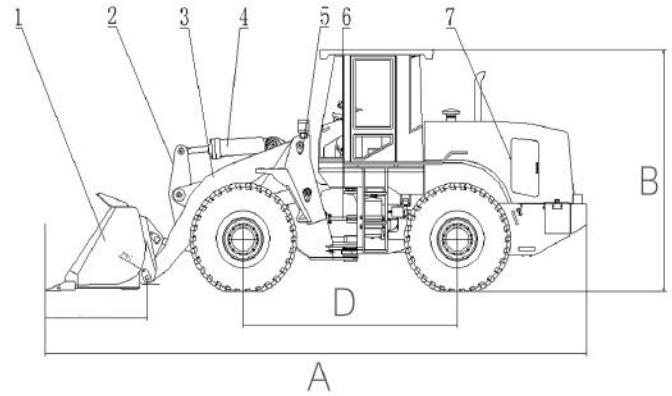
Excellent efficiency

Booster

Car air conditioner

Protective Device

Loader Outline



Accessories



*We follows the principle of continuous improvement Product performance parameters will be partially changed due to technical improvements without prior notice.

Contact us:

Sun Xianfeng - Phone/Whatsapp:+8613505697380 |

Email:fk002@fukebn.com/fuke7380@gmail.com |

Mr.Zhang - Phone/Whatsapp:+8613291848418 | Email:zh@fukebn.com

Web:

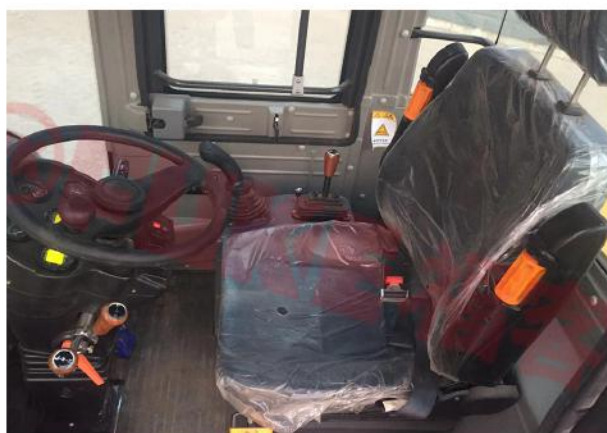
www.fukeonline.com



Type 1 Mechanical Operating System



Type 2 Pilot Operating System



Type 3 Advanced Operating Systems

(Pilot and Image Operating Systems)



*We follows the principle of continuous improvement Product performance parameters will be partially changed due to technical improvements without prior notice.

Contact us:

Sun Xianfeng - Phone/Whatsapp:+8613505697380 |

Email:fk002@fukebn.com/fuke7380@gmail.com |

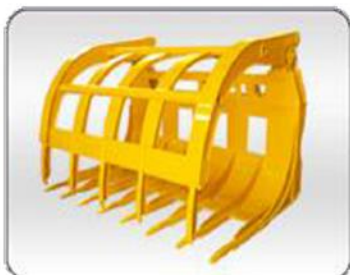
Mr.Zhang - Phone/Whatsapp:+8613291848418 | Email:zh@fukebn.com

Web:
www.fukeonline.com



Loader accessories ●

▼ Grass cutter



▼ Clamping machine



▼ Sliding fork



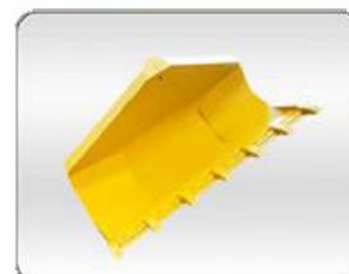
▼ Flat fork



▼ Coal scuttle



▼ Side dump



▼ Rock bucket



▼ Breaker



▼ Snowplow



▼ Snow shovel



▼ Quick change tooling



*We follow the principle of continuous improvement Product performance parameters will be partially changed due to technical improvements without prior notice.

Contact us:

Sun Xianfeng - Phone/Whatsapp:+8613505697380 |

Email:fk002@fukebn.com/fuke7380@gmail.com |

Mr.Zhang - Phone/Whatsapp:+8613291848418 | Email:zh@fukebn.com

Web:
www.fukeonline.com

