

FK **FUKE** 福客®

FK33-30

FUKE

Boutique Manufacturing,

Conquer The World with Quality



FUKE FK33-30 **Basic Information**

Concrete output

3m³

Wheelbase

2050mm

Loading ratio

65%

Bucket

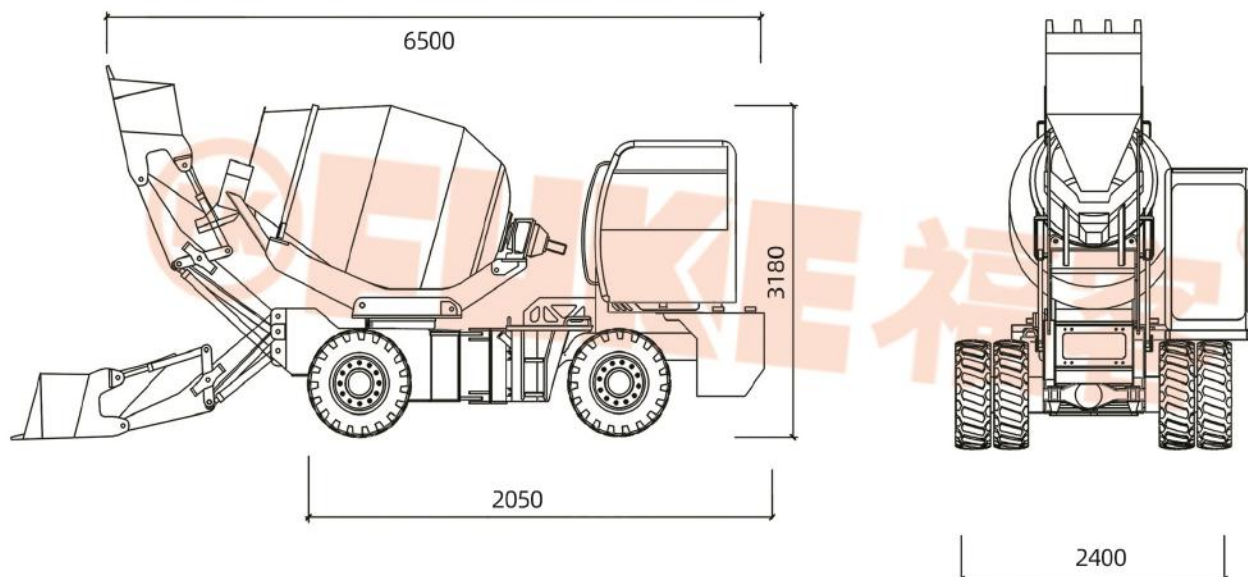
350L

Weight

6800kg

Rated power

85Kw



Technical Specification

Drum capacity	4.5m ³
Concrete output	3.0m ³
Loading ratio	65%
Rotary drum	Discharge mouth height 1.5 meters.Level turn 270 °
Production capacity	4-5 batches in an hour;15 cubic meters per hour
Engine	Yuchai ENGINE, diesel, water cooling, 4 cylinders.Rated power 85KW.2,200 revolutions per minute
Transmission way	Full hydraulic drive.4 wheel drive and 2 turns.All the power comes from hydraulic oil, including walking 4X4.
Climbing ability	30%
Speed	Low speed 0-25 km/h, high speed 0-40 km/h.
CAB	Ultra wide deluxe cab . ROPS type.
Hydraulic system	Open feed, two gear pump participate in action.
Joystick	A four-way hydraulic pilot with an electric control button controls the bucket.
Bucket	350L
Bucket type	hydraulic gate.
Chute	Equipped with two removable shaft pins to increase the discharge length.
Water supply system	Self-priming hydraulic drive pump/electronic water flow monitor/high pressure washer.
Brake	inner wheel brake and the emergency brake operate on 4 wheels, enabling the small servo pump on the independent double-return road.Negative pressure type stop brake, the front bridge is equipped with inner hub.
Turn	Hydraulic steering, front wheel steering.
Tyre	23.5/70-16 wire tires
Power system	24V
OIL TANK/water tank	300L water tank. Diesel tank: 110 litres.Hydraulic tank: 110 litres.
Weight	6800KG
Dimensions L*W*H	6500mm*2400mm*3180mm
Wheelbase	2050mm
Metering	Electronic weighing system (optional)

We follows the principle of continuous improvement Product performance parameters will be partially changed due to technical improvements without prior notice.

