

FK11-3Y



FUKU FK11-3Y

Basic Information



Rated capacity

3000kg

Service weight

5080kg

Rated output/r.p.m

36.8/2500kw/rpm



Customization and assistive devices

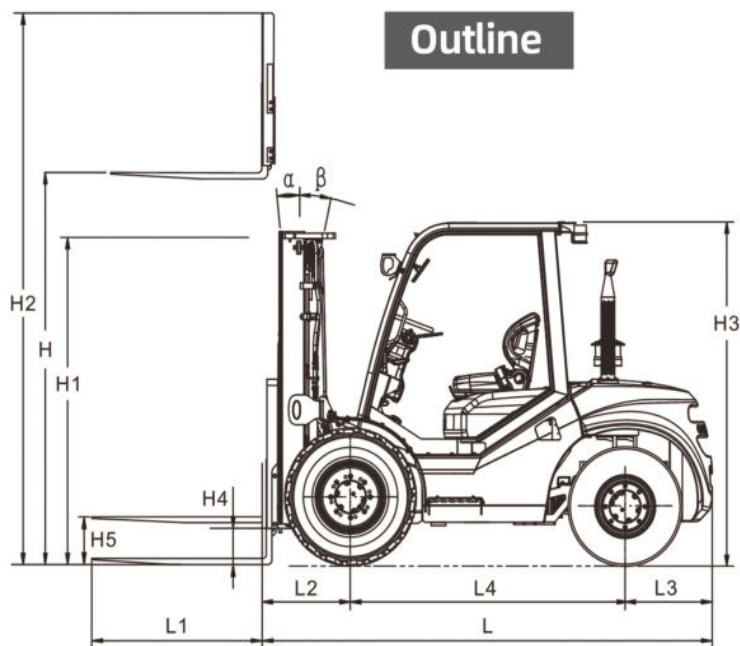




Technical Specification

Model	FK11-3Y	
Power Type	Diesel	
Rated Capacity	3000 kg	
Load Centre	500 mm	
Service Weight	5080 kg	
Tyre Size(Front)	14-17.5-14PR	
Tyre Size(Rear)	10.0/75-15.3-12PR	
Front Tread	1217 mm	W1
Rear Tread	1206 mm	W2
Wheelbase	1920 mm	L4
Fork Size(LxWxT)	1220x125x45 mm	L1
Mast Tilt Angle (F/R)	10/12 deg	α/β
Lift Height	3000 mm	H
Mast Lowered Height	2265 mm	H1
Free Lift Height	165 mm	H5
Mast Extended Height	4342 mm	H2
Length to Face of Fork	3110 mm	L
Overall width	1560 mm	W
Overhead Guard Height	2260 mm	H3
Front Overhang	580 mm	L2
Rear Overhang	610 mm	L3
Turning Radius (outside)	3200 mm	r
Ground Clearance (Bottom at mast)	270 mm	H4
Min. Intersecting aisle	2780 mm	Ra
Min. Right angle stacking aisle width	5200 mm	RASA
Max. Travel Speed (Full load/No load)	20/21 km/h	
Lifting Speed(Full load/No load)	510/550 mm/s	
Lowering Speed (Full load/No load)	$\leq 600 / \geq 300$ mm/s	
Max. Gradeability (Full load)	40%	
Engine Model	Yuchai	
Rated output/r.p.m	36.8/2500 kw/rpm	
Rated torque/r.p.m	186/1600-1800 Nm/rpm	
No. of cylinder	4	
Bore x stroke	98x105 mm	
Displacement	3.167 L	
Fuel Tank Capacity	60 L	
Battery (Vollage/capacity)	12/80 V/Ah	

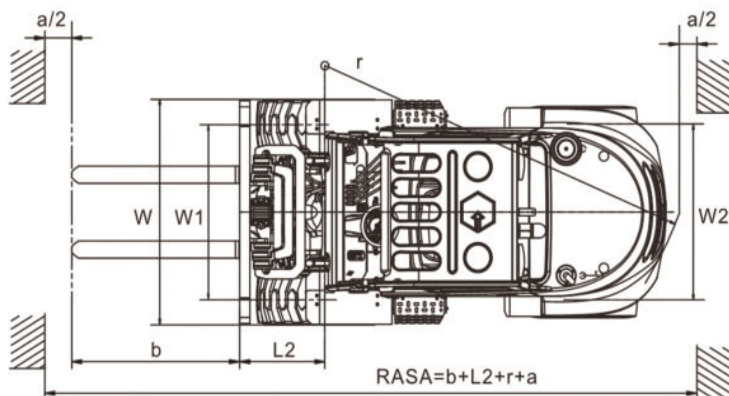
Outline



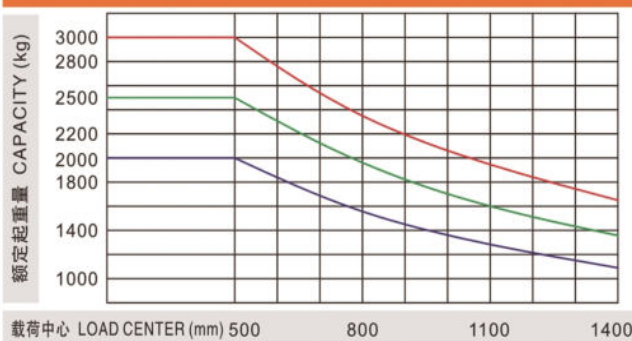
RASA Right-Angle Stack Aisle

a: Safety Clearance

b: Load Length



载荷曲线图 Load Curve



Note:

Capacities shown are computed with upright in vertical position. Based on a 1000 mm cube load configuration with the center of gravity at the true center of the cube and standard forks. Truck capacities with upright in forward tilt position will be less. Long forks and unusually wide or loads may also reduce capacity.

